



Haitzled BirdCare Poultry Lighting

BirdsCare Technical features

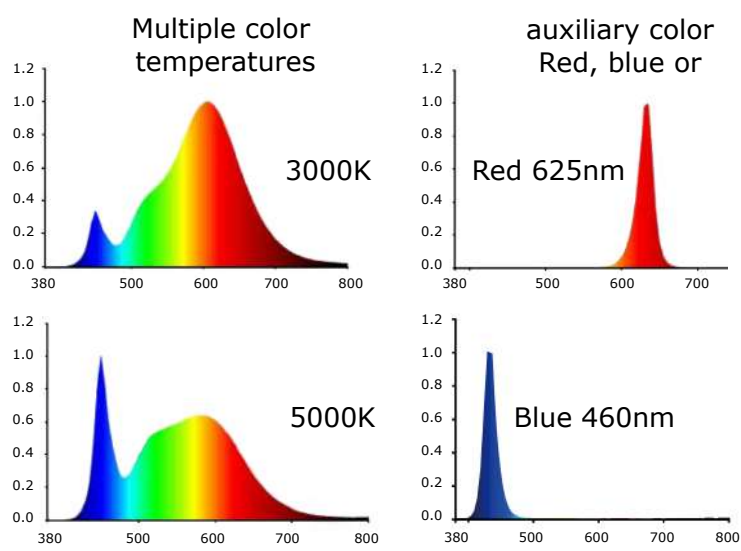
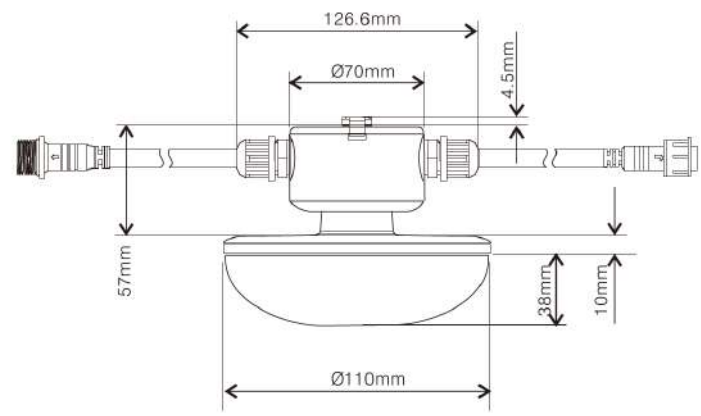
A unique flicker-free and dimmable lighting solution that helps in improving well-being and promoting the production of your poultry.



Tel: 088 291 22 99 * Web: www.haitzled.com * Mail: info@haitzled.com

Features

- * Unique design, optimal uniform lighting distribution which avoid clustering
- * Super high efficiency - high energy saving
- * Available in 2 channels with UV-A
- * 0-100% smooth dimming (Triac 0-10V) function flicker free;
- * IP67 rating, withstand high pressure washdown
- * PMMA cover, ammonia resistant
- * Aluminum base heat dissipation, non interfering with the LED driver
- * Available in DC 48V or AC 110/230V
- * Easy cleaning, easy installation
- * 5 years warranty, >80.000 hours lifespan





Haitzled BirdCare Poultry Lighting

BirdCare  Technical features

HAITZLED BirdCare Bulb

Model number

Features

BirdCare	Bulb or Tube	Length * 100mm	P in Watt + 5W for 2CH	Intern or Extern driver	Color temperatures	V-shape, WR=white rec WB= white blue	With or without UV	Luminous efficiency lm	Luminous efficiency lm	CRI	Beam angle	Input voltage
BC	B	01	- 10	INT	2700K-6000K	- WB/WR	UV	120 lm/W	1080	>80	145°	230 VAC
BC	B	01	- 10	EXT	2700K-6000K	- WB/WR	UV	120 lm/W	1080	>80	145°	48 VDC
BC	B	01	- 15	INT	2700K-6000K		UV	120 lm/W	1800	>80	145°	230 VAC
BC	B	01	- 15	EXT	2700K-6000K		UV	120 lm/W	1800	>80	145°	48 VDC

